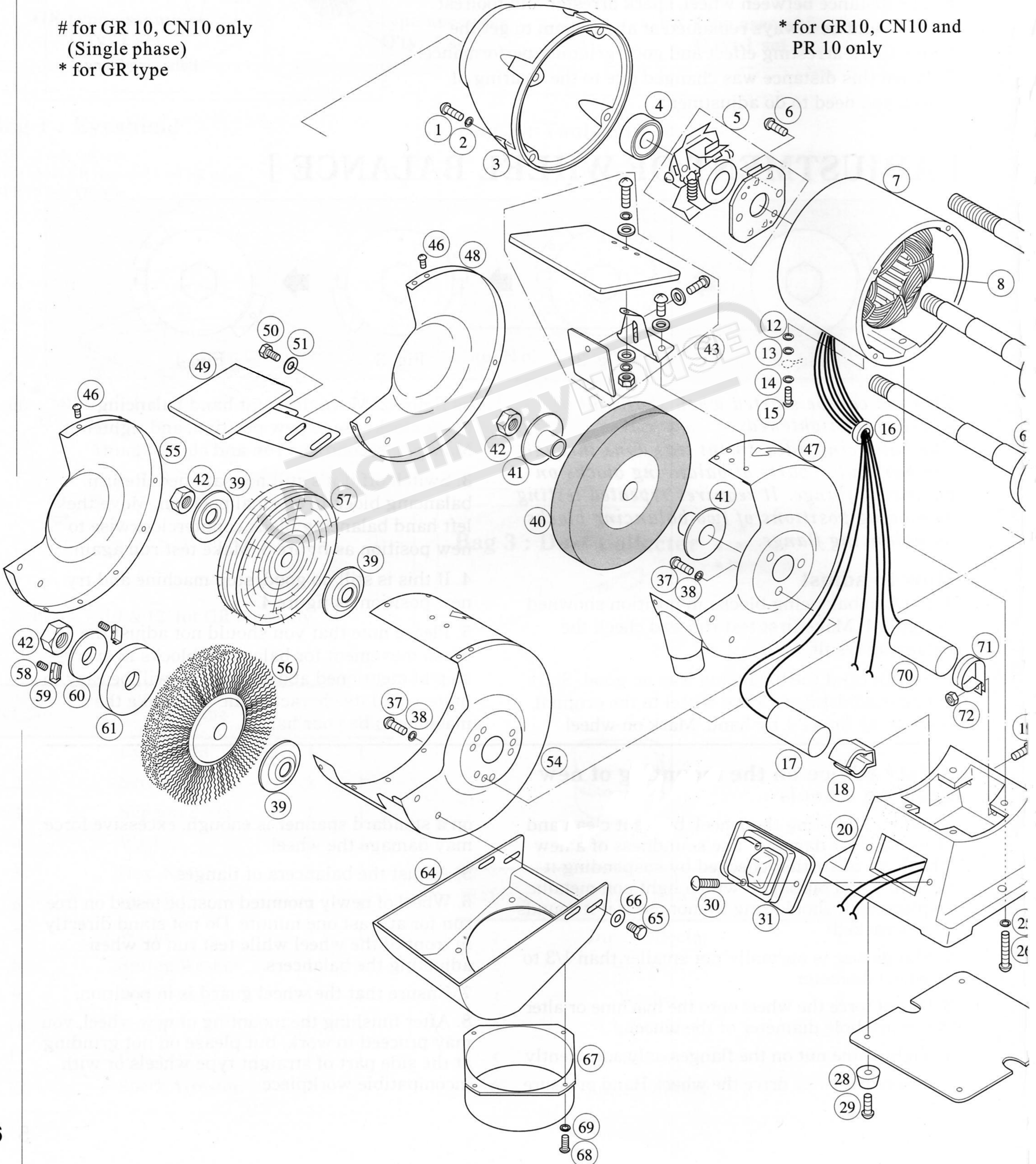


# [EXPLODED VIEW]

- |                         |                       |                    |                         |
|-------------------------|-----------------------|--------------------|-------------------------|
| 1. Screw                | 10. Fan               | 20. Grinding Base  | 30. Screw               |
| 2. Spring Washer        | 11. Right Support     | 21. Screw          | 31. NVR                 |
| 3. Left Support         | 12. Ext. Washer       | 22. Cable Strainer | 32. Overload Protector* |
| 4. Ball Bearing         | 13. Copper Set        | 23. Fixing Plate   | 34. Spring Washer*      |
| 5. Centrifugal Switch # | 14. Int. Washer       | 24. Power Cord     | 35. Hex. Nut*           |
| 6. Screw                | 15. Screw             | 25. Washer         | 36. Screw               |
| 7. Stator Housing       | 16. Grommet Rubber    | 26. Screw          | 37. Screw               |
| 8. Stator               | 17. Running Capacitor | 27. Base Plate     | 38. Spring Washer       |
| 9. Rotor Shaft*         | 18. Clamp             | 28. Pad            | 39. Disc Washer         |
|                         | 19. Screw             | 29. Screw          |                         |

# for GR 10, CN10 only  
(Single phase)  
\* for GR type

\* for GR10, CN10 and PR 10 only





- 40. Grinding Wheel
- 41. Sleeve
- 42. Hex. Nut
- 43. Eyeshield Set
- 44. Right Int. Cover A
- 45. Right Wheel Cover A
- 46. Screw
- 47. Left Int. Cover A
- 48. Left Wheel Cover A
- 49. Toolrest

- 50. Hex. Bolt
- 51. Washer
- 52. Right Int. Cover B
- 53. Right Wheel Cover B
- 54. Left Int. Cover B
- 55. Left Wheel Cover B
- 56. Wire Brush
- 57. MOP/Buffer
- 58. Set Screw
- 59. Balance Block

- 60. Washer
- 61. Balancing Flange
- 62. Rotor Shaft\*1
- 63. Rotor Shaft\*2
- 64. Dust Collector
- 65. Hex. Bolt
- 66. Washer
- 67. Chip Outlet
- 68. Screw
- 69. Spring Washer

- 70. Starting Capacitor \*
- 71. Clamp \*
- 72. Hex. Nut \*
- 73. Wiring Board

44+45+47+48 for GR type  
 47+48+52+53 for CN type  
 52+53+54+55 for PR type

\*1 for CN type  
 \*2 for PR type

\*for GR 10, CN10 only  
 (Single phase)

